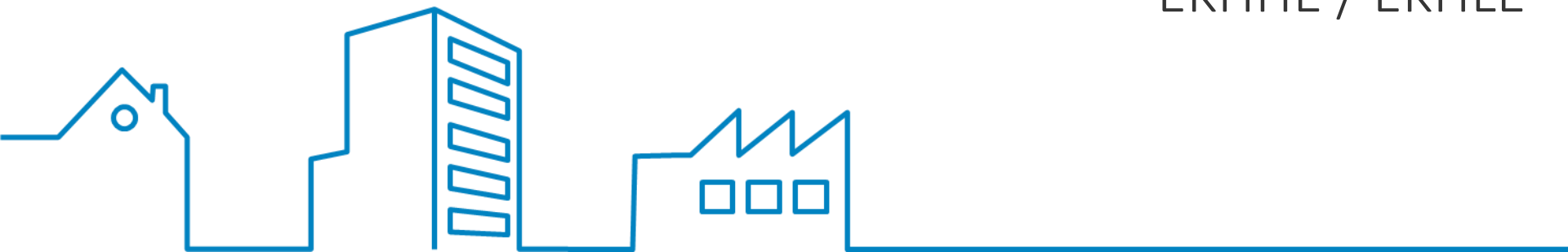


Produktový list

Monobloc pro ohřev TV

EKHHE / EKHLE



Dostupné modely



EKHHE200CV37



EKHHE200PCV37



EKHHE260CV37



EKHHE260PCV37



EKHLE200CV3



EKHLE260CV3

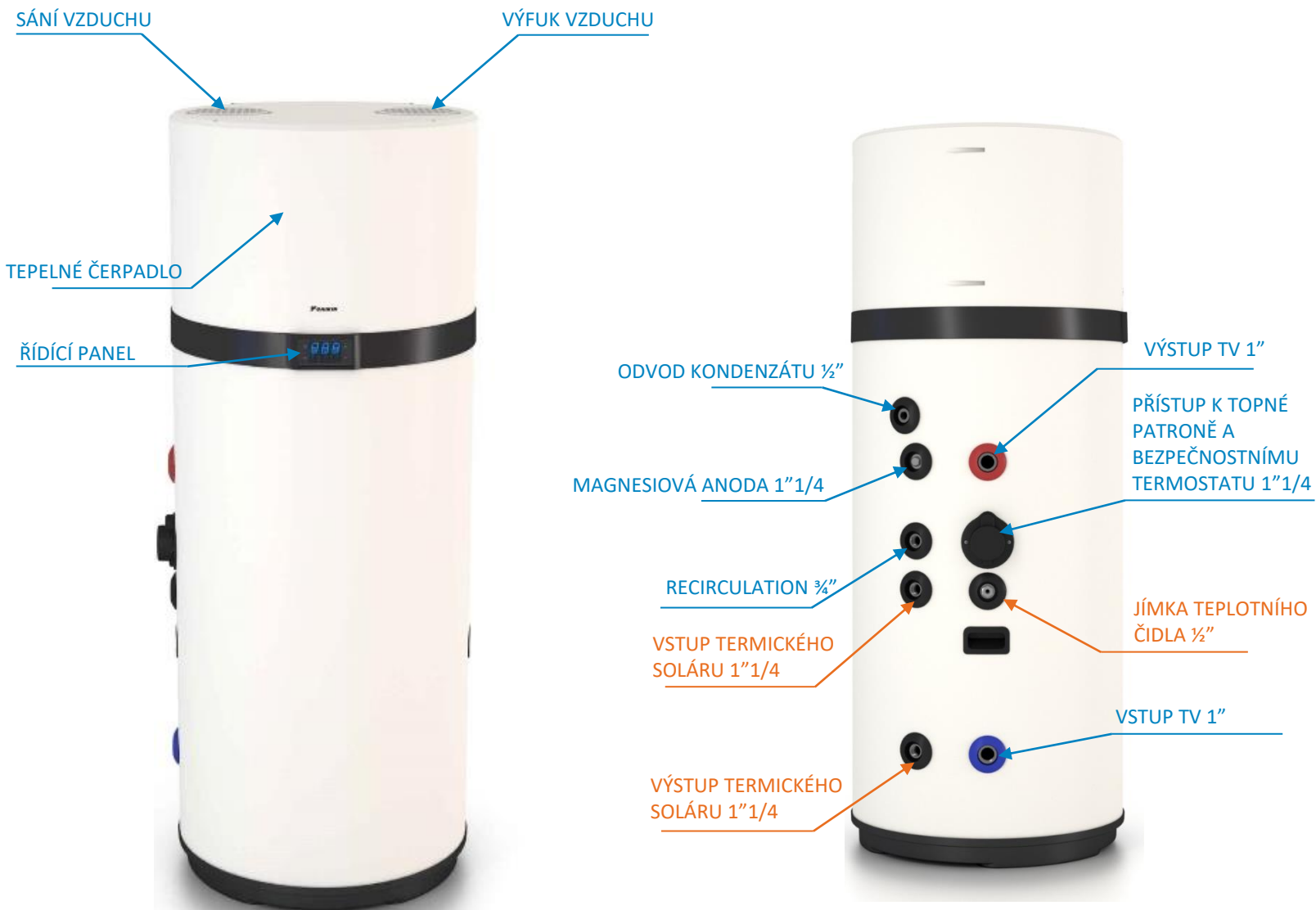
EKHHE200PCV37 a EKHHE260PCV37 mají výměník navíc pro připojení termických solárních kolektorů, nebo jiného zdroje tepla.

Náhled produktu



Reprezentativní obrázek modelu EKHHE200PCV37

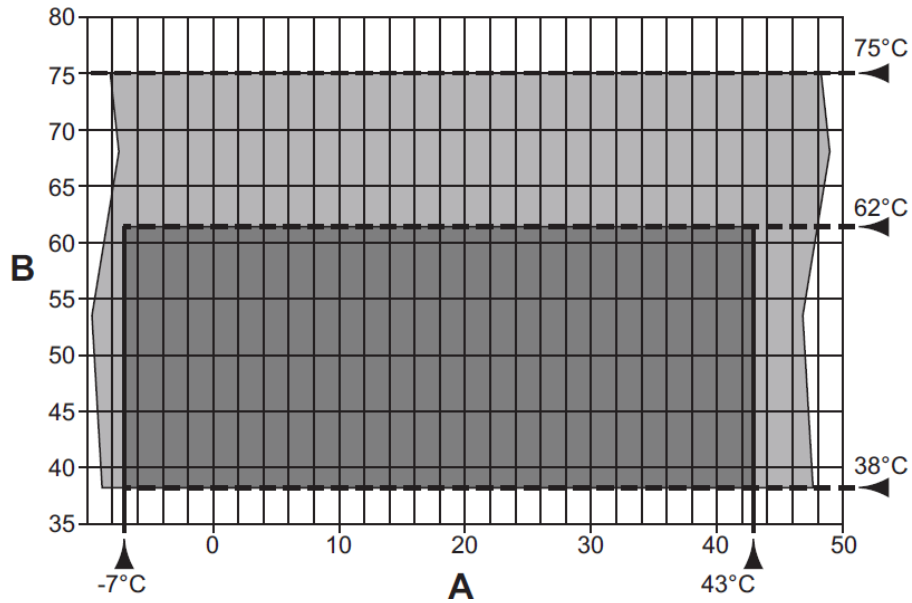
Popis produktu



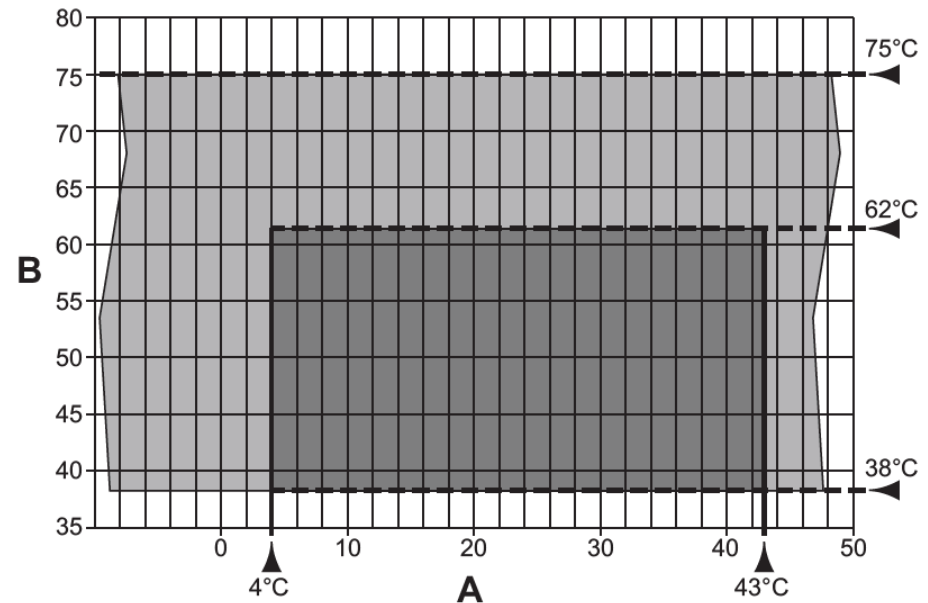
Reprezentativní obrázek modelu EKHHE200PCV37

Operační rozsah

EKHHE



EKHLE



A = Inlet air temperature (°C)

B = Hot water temperature (°C)

■ = Operating range for heat pump (HP)

■ = Integration with heating element only

Produktová specifikace - EKHHE-CV37

Model	EKHHE200CV37	EKHHE260CV37	EKHHE200PCV37	EKHHE260PCV37	U.m.	
General data	Voltage supply	230Vac-50Hz			-	
	Tank water content - Vnom	192	250	187	247	dm3
	Maximum inlet water pressure	0.7	0.7	0.7	0.7	MPa
	Empty weight	85	97	96	106	kg
	Operating weight	277	347	283	353	kg
	Dimensions (Øxh)	621 x 1607	621 x 1892	621 x 1607	621 x 1892	mm
	Max. Hot water temperature with heat pump	62	62	62	62	°C
	Max. Hot water temperature with additional electric heater	75	75	75	75	°C
Tank	Material	Enameled steel			-	
	Cathodic protection	Mg rod anode			-	
	Insulating type	Polyurethane			-	
	Insulation thickness	50	50	50	50	mm
Heat pump electrical data	Average power input in heating	430	430	430	430	W
	Maximum power input	530	530	530	530	W
	Maximum current input	2.43	2.43	2.43	2.43	A
Electric heater electrical data	Supply voltage	230Vac-50Hz			-	
	Power input	1500	1500	1500	1500	W
	Current input	6.5	6.5	6.5	6.5	A
Electrical data Heat pump + electric heater	Maximum power input	1960	1960	1960	1960	W
	Maximum current input	8.5	8.5	8.5	8.5	A
Air circuit	Fan type	Centrifugal			-	
	Air volume flow rate	450	450	450	450	m3/h
	Available external static pressure	117	117	117	117	Pa
	Ducts diameter	160	160	160	160	mm
Refrigerant circuit	Compressor	Rotary			-	
	Refrigerant	R134a			-	
	Refrigerant charge	1	1	1	1	kg
	Evaporator	Copper-aluminum finned coil			-	
	Condenser	Aluminum tube wound outside tank			-	
Solar coil	Material	-	-	Enameled steel	Enameled steel	-
	Surface	-	-	0.72	0.72	m2
	Max pressure	-	-	1	1	MPa

Produktová specifikace – EKHHE-CV37

Model		EKHHE200CV37	EKHHE260CV37	EKHHE200PCV37	EKHHE260PCV37	U.m.
Data according to EN 16147: 2017 standard for AVERAGE climate (unit in ECO mode, Hot water setpoint = 55 ° C; Inlet water = 10 ° C; Inlet air temp = 7 ° C DB / 6 ° C WB)	Load profile	L	XL	L	XL	-
	Water heating energy efficiency class *	A+	A+	A+	A+	-
	Water heating energy efficiency - η_{wh}	135	138	135	138	%
	COP _{DHW}	3.23	3.37	3.23	3.37	-
	Maximum volume of mixed water at 40 °C - V ₄₀	247	340	241	335	dm ³
	Reference hot water temperature – Θ_{wh}	52.5	53.2	52.5	53.2	°C
	Rated heat output - Prated	1.339	1.249	1.339	1.249	kW
	Heating up time - t _n	06:27	09:29	06:27	09:29	hh:mm
	Annual electricity consumption - AEC	761	1210	761	1210	kWh
	Stand-by power input (P _{es})	26	28	26	28	W
Data according to EN 12102-2: 2019 ECO mode with Inlet air temp = 7 ° C DB / 6 ° C WB	Indoor sound power level	53	51	53	51	dB(A)
	Outdoor sound power level	45	44	45	44	dB(A)

Descriptions	EKHHE200CV37	EKHHE260CV37	EKHHE200PCV37	EKHHE260PCV37	u.m.
Declared load profile	L	XL	L	XL	-
Water heater thermostat temperature settings	55	55	55	55	°C
Water heating energy efficiency class (1)	A+	A+	A+	A+	-
Water heating energy efficiency - $\eta_{wh}(1)$	135	138	135	138	%
COPDHW (1)	3.23	3.37	3.23	3.37	-
Annual electricity consumption - AEC (1)	761	1210	761	1210	kWh
Water heating energy efficiency - $\eta_{wh}(2)$	106	112	106	112	%
COPDHW (2)	2.55	2.73	2.55	2.73	-
Annual electricity consumption - AEC (2)	944	1496	944	1496	kWh
Water heating energy efficiency - $\eta_{wh}(3)$	162	160	162	160	%
COPDHW (3)	3.89	3.9	3.89	3.9	-
Annual electricity consumption - AEC (3)	631	1046	631	1046	kWh
Indoor sound power level	53	51	53	51	dB (A)
Outdoor sound power level	45	44	45	44	dB (A)
The water heater can work during off-peak hours only	NO	NO	NO	NO	-

(1) Average climate; (2) cold climate; (3) warm climate

Produktová specifikace – EKHLE-CV3

Model		EKHLE200CV3	EKHLE260CV3	u.m.
Heat pump	Power supply	230-1-50		V-PH-Hz
	Thermal power (ISO)	1600	1600	W
	Total absorbed power in heating (ISO)	370	370	W
	COP (ISO)	4.32	4.32	W/W
	Rated current in heating (ISO)	1.70	1.70	A
	Max. total absorbed power in heating	500	500	W
	Max. current in heating	2.30	2.30	A
	Heating time (EN) (1)	7:16	9:44	h:min
	Heating energy (EN) (1)	2.83	3.74	kWh
	Standby consumption (EN) (1)	27.3	31	W
	Class of use (EN) (1)	L	XL	Type
	Power consumption during operating cycle WEL-TC (EN) (1)	4.18	6.17	kWh
	COPDHW (EN) (1)	2.80	3.10	W/W
	COPDHW (EN) (4)	2,50	2,60	W/W
	Water reference temperature (EN) (1)	51.4	53.7	°C
	Max. usable amount of water(EN) (2)	0.260	0.358	m ³
	Heating efficiency ref. standard (EU)	116	127	%
	Efficiency class ref. standard (EU)	A+	A+	-
	Yearly power consumption (EU)	883	1315	kWh/year
	Electrical heating element	Power	1500	1500
Current		6.5	6.5	A
Total absorbed power		1870	1870	W
Heat pump + Electrical heating element	Rated current	8.20	8.20	A
	Total max. absorbed power	2000	2000	W
	Max. current	8.80	8.80	A
	Heating time (1) BOOST MODE	3:48	4:57	h:min
Storage	Storage capacity	192	250	l
	Max. pressure	0.7	0.7	MPa
	Material	Enameled steel		type
	Cathodic protection	Mg rod anode		type
	Insulation type\thickness	polyurethane/50		type/mm

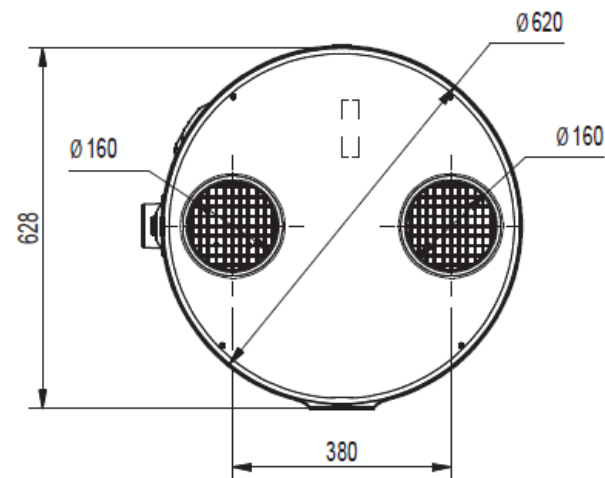
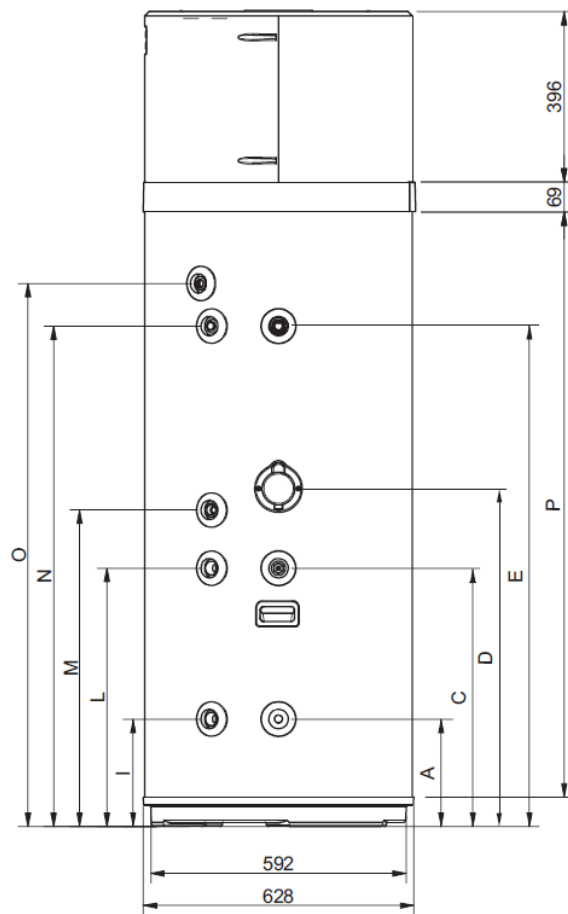
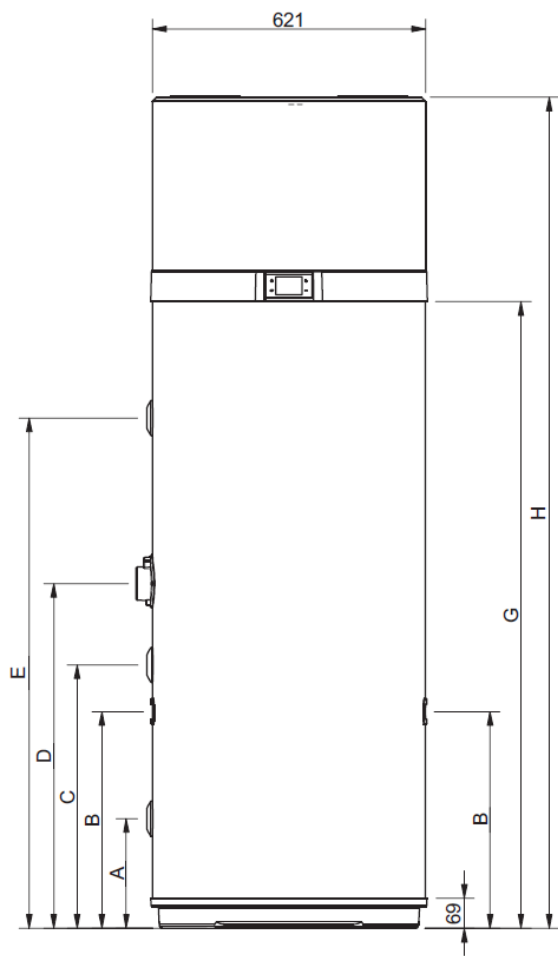
Produktová specifikace – EKHLE-CV3

Model		EKHLE200CV3	EKHLE260CV3	U.m.
Air circuit	Fan type	Centrifugal		type
	Air flow rate	350	350	m ³ /h
	Duct diameter	160	160	mm
	Max. available head	100	100	Pa
Refrigeration circuit	Compressor	Rotary		type
	Refrigerant	R134a		type
	Evaporator	Aluminum - Aluminum Finned coil		type
	Condenser	Aluminum tube wound outside tank		type
Internal sound power levels (3)		52	52	dB(A)
External sound power levels (3)		50	50	dB(A)
Empty weight	Net	86	98	kg

NOTES

- **(ISO)**: data according to standard ISO 255-3
- **(EN)**: data according to standard EN 16147:2017
- **(EU)**: data according to regulation 2017/1369/EU
- **(1)**: Heating cycle Air inlet temp = 20°C DB/15°C WB Initial water temperature 10°C
- **(2)**: Operating temperature limit 40°C - Water inlet temperature 10°C
- **(3)**: data according to standard EN 12102-1:2018 ECO MODE A 20°C DB/15°C WB
- **(4)**: Heating cycle Air inlet temp = 14°C DB/13°C WB Initial water temperature 10°C

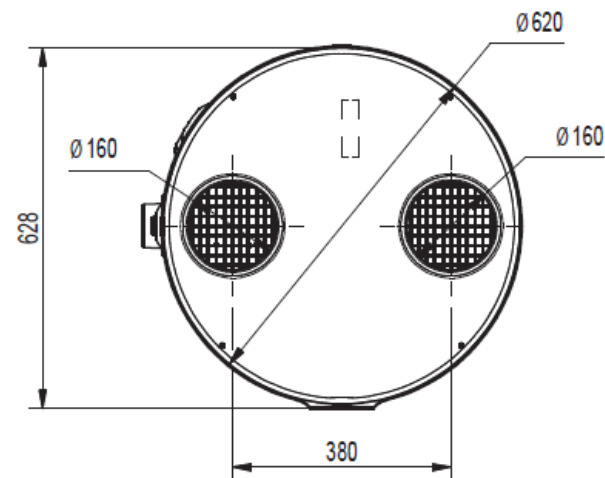
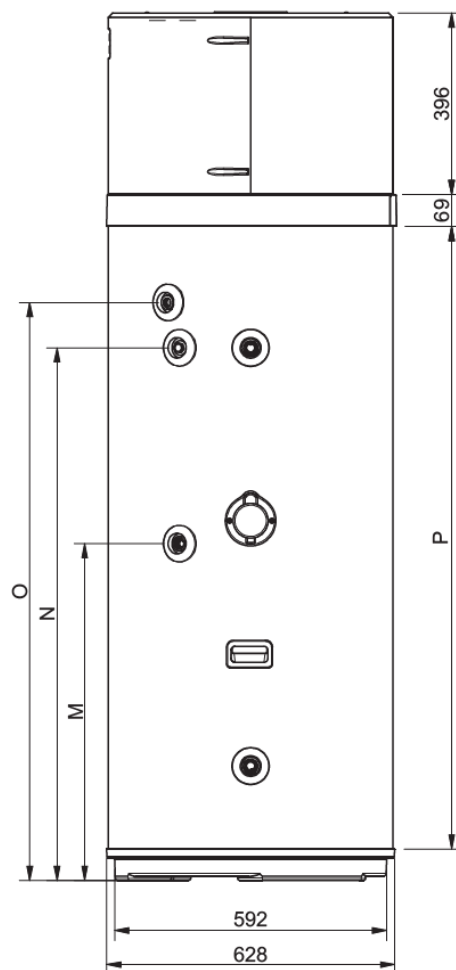
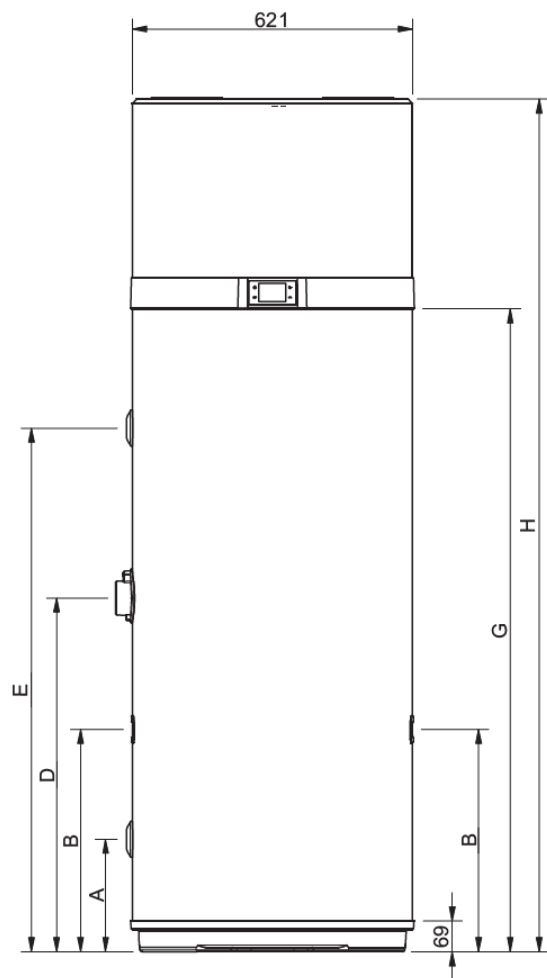
Rozměry - EKHHE



MODEL	Ø	EKHHE200PCV37	EKHHE260PCV37	EKHHE200CV37	EKHHE260CV37	UM
A	1"G	250	250	250	250	mm
B	-	490	493	/	/	mm
C	1/2"G	600	600	600	600	mm
D	-	705	785	705	785	mm
E	1"G	876.5	1162	876.5	1162	mm
G	-	1142	1427	1142	1427	mm
H	-	1607	1892	1607	1892	mm
I	3/4"G	250	250	/	/	mm
L	3/4"G	599	600	/	/	mm
M	3/4"G	705	735	705	735	mm
N	3/4"G	877	1162	877	1162	mm
O*	1/2"G	976	1261	976	1261	mm
P	-	1073	1358	1073	1358	mm

* O – outlet connection in plastic material

Rozměry - EKHLE



MODEL	Ø	EKHLE200CV3	EKHLE260CV3	UM
A	1"G	250	250	mm
B	-	490	493	mm
D	-	705	785	mm
E	1"G	876.5	1162	mm
G	-	1142	1427	mm
H	-	1607	1892	mm
M	3/4"G	705	735	mm
N	3/4"G	877	1162	mm
O*	1/2"G	976	1261	mm
P	-	1073	1358	mm

* O – outlet connection in plastic material

Kombinační tabulka

					HEATING PERIPHERALS - OEM DHW HP	
					Floor standing DHW HP EU	Floor standing DHW HP with Solar Coil EU
ESK reference for start MP ESK reference for stop MP Main content of ESK Model name NEW MODELS					ESK BE20-755_B (MP wk2/2022)	ESK BE20-755 (MP wk6/2021)
					New series Cost reduction Improved specs Broaden product range	New series Cost reduction Improved specs Broaden product range
					EKHHE200CV37 EKHHE260CV37 EKHLE200CV37 EKHLE260CV37	EKHHE200PCV3 EKHHE260PCV3
					Heat pump Daikin Altherma heat pumps	
Options	Unit options (not available at sales launch)	ESK BE20-755	Solar probe filter kit for 200l-260l	EKPHK02 EKFIL260	- P	P P

P: Pair combination allowed